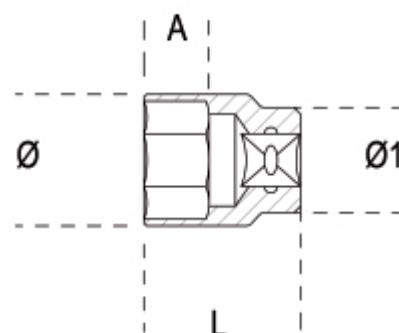


**928B**
**bi-hex hand sockets**


**UNI/ISO 2725**


art.	Ø mm	Ø mm	L mm	Ø1 mm	A mm	g
009280119	19	29,2	50	34	14,0	171
009280121	21	30,0	51	34	14,0	
009280122	22	31,3	53	34	14,0	201,3
009280123	23	33,3	53	34	14,0	214,6
009280124	24	34,5	53	34	16,0	210
009280126	26	36,8	55	35	16,0	255
009280127	27	38,0	56	35	18,0	234
009280128	28	39,0	57	35	18,0	240
009280129	29	40,2	58	35	20,0	243
009280130	30	41,5	58	37	20,0	271
009280132	32	44,3	60	37	22,0	324,6
009280133	33	45,8	60	37	24,0	332,6
009280134	34	46,8	60	37	24,0	359
009280135	35	48,1	62	38	25,0	367,3
009280136	36	49,5	64	38	26,0	474
009280138	38	52,0	68	40	27,0	550
009280141	41	56,0	71	40	29,0	572
009280146	46	62,3	75	43	32,0	728
009280150	50	67,4	80	43	35,0	975
009280155	55	73,7	84	48	38,0	1129
009280160	60	80,0	87	48	41,0	1288