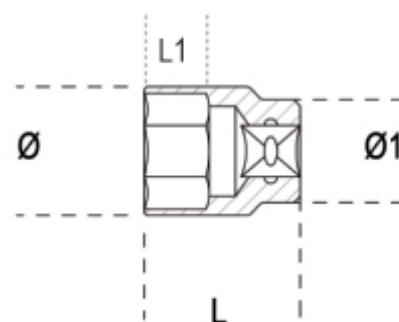


**920INOX-A**
**Hexagon hand sockets, 1/2" female drive, made of stainless steel**

**DIN 3124 - UNI ISO 2725**

- High resistance to corrosion
- Avoids improper rust formation
- Outstanding mechanical characteristics
- AISI 420 stainless steel



art.	mm	Ø mm	A mm	L mm	Ø1 mm	L1 mm	g
009203008	8	15	10	40	24	14,0	77
009203009	9	16	10	40	24	14,0	78
009203010	10	17	10	40	24	15,0	78
009203011	11	18	11	40	24	15,0	79
009203012	12	19	11	40	24	15,0	79
009203013	13	20	11	40	24	15,0	80
009203014	14	21	11	40	24	16,5	80
009203015	15	23	11	40	25	16,5	94
009203016	16	24	11	40	25	16,5	94
009203017	17	25	11	40	25	17,5	94
009203018	18	26	13	42	25	18,8	94
009203019	19	28	13	42	25	21,5	110
009203020	20	29	13	42	26	21,5	120
009203021	21	30	13	43	26	21,5	125
009203022	22	31	15	43	26	22,6	130
009203024	24	34	15	43	28	22,7	165
009203027	27	38	18	46	30	22,7	215
009203030	30	42	20	46	30	22,7	250
009203032	32	44	20	46	34	25,3	295