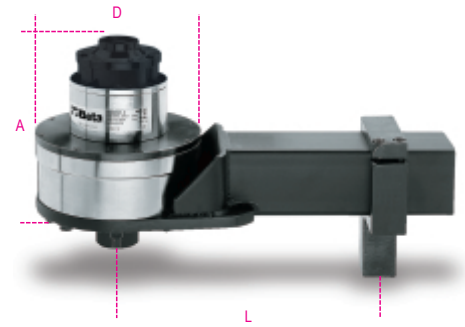


567/5R

Torque multiplier for right-hand and left-hand tightening, ratio 125:1, with anti-wind up system

kg



art.	Nm	Kgfm	lbf.ft	□	■	D mm	A mm	L min mm	L max mm	kg
005670015	9500	950	7000	1/2	1"1/2	184	210	155	350	27